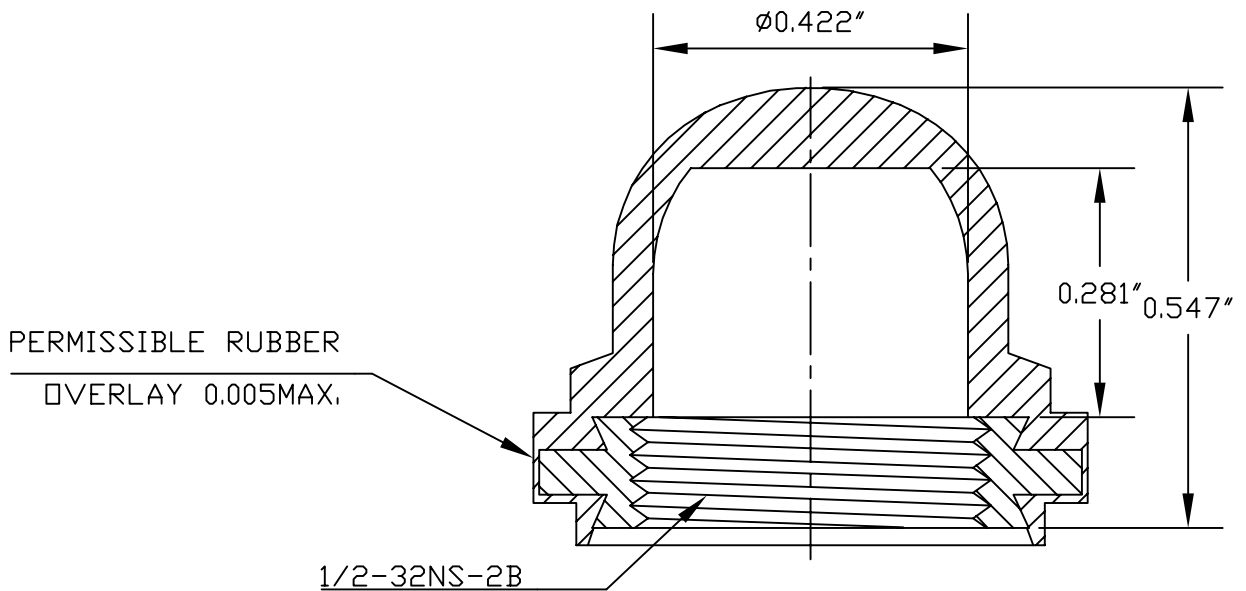
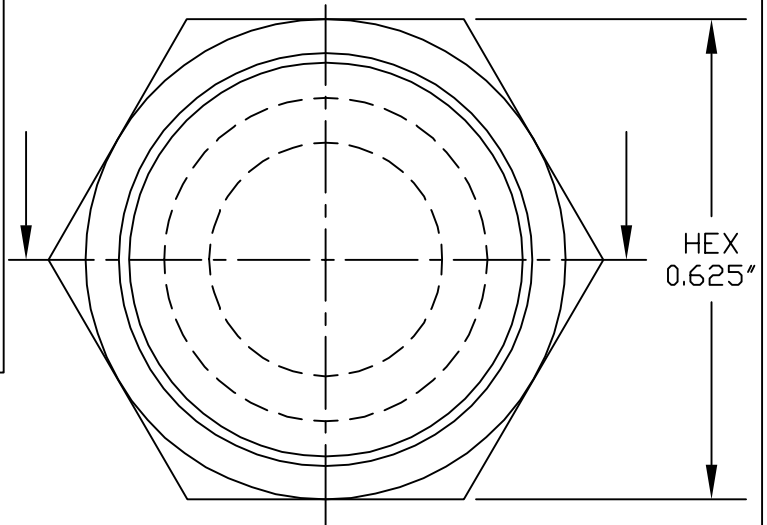


SPECIFICATIONS

Material: HEXSEALS: Silicone rubber conforms to A-A-59588 Class III, GR 60 unless otherwise specified.
Mounting Nut: HEXSEALS: Brass, nickel-plated (unless otherwise noted)
Temperature Range: HEXSEALS: -94°F to +400°F
Pressure Range: Exceeds 15 psi internal and 1500 psi external.
Operational Life: 50,000 actuations (minimum).
Shelf Life: Excess of 25 years.
Resistant to: Salt spray, sunlight, ozone, weather, fungus, and most acids and lubricating oils
Agency Recognition: E-SEELS and HEXSEALS are UL-listed to UL Std. 50 types 1-13, and meet CSA standards.
Installation: If a reducing adaptor is required - see page 14 of HEXSEAL catalog HEX200 for part numbers and drawing.



| | | | |
|---|--|-------|----------------------|
| J | MAT'L CHANGED | S.GOK | 07.30.09 |
| I | CAD COMPUTER GENERATED | | 09.23.02 |
| H | UPDATED, ADDED ORDER NUMBERS, DWG NO. WAS 12/31/SERIES | W.P. | 11.24.76 |
| G | UPDATED | R.C. | 08.04.74 |
| REV. | DESCRIPTION | | DATE |
| MAXIMUM AND MINIMUM MEASUREMENTS ARE STATED DIRECTLY ON EACH DIMENSION. | TITLE: BOOT, PUSH BUTTON SWITCH (NH3030) | ENG. | M.MORSE 01.21.60 |
| | | DWN. | S.ANDREWS 01.21.60 |
| | | CHKD. | B.GLICKSMAN 01.21.60 |
| MAT'L: SILICONE RUBBER A-A-59588 Class III, Gr.60 | APM-HEXSEAL CORPORATION | SCALE | NH3030 |
| FINISH: GRAY | | 4 : 1 | HEXSEAL® |

THIS DRAWING COVERS PROPRIETARY ITEM AND IS THE PROPERTY OF THE APM-HEXSEAL CORPORATION. THIS DRAWING IS NOT TO BE COPIED OR USED WITHOUT THE WRITTEN APPROVAL OF AN OFFICER OF THE APM-HEXSEAL CORPORATION.